

AL60G

Linear Motor Drive /
High-speed & High-precision Die-sinker EDM



- Linear motor (X-/Y-/Z- axis)
- Absolute linear scales (X-/Y-/Z- axis)
- SP controller
- 19" TFT colour screen
- Ceramic work-zone
- SGF 4 Nano-Wear discharge unit
- LN Professional AI for optimum condition search
- Sodick Motion Controller

- 3-sided rise and fall work tank
- Remote controller
- Improved ease of operation
- LAN/ USB interface
- Dielectric fluid cooling unit
- Totalising hour meter
- Work light

Technical Specifications

X-/Y-/Z- axis stroke (mm)	600 x 420 x 370
Ceramic table dimensions (W x D, mm)	750 x 550
Worktank dimensions (W x D x H mm)	950 x 740 x 450
Dielectric fluid level (mm)	150~400
Max. workpiece weight (kg)	1,500
Max. electrode weight (kg)	50
Distance from table to chuck (mm)	200~570 (EROWA ITS)
Distance from floor to table top (mm)	850
Machine weight (kg)	5,350
Machine installation space (W x D mm) (excluding ATC unit)	2,600 x 3,850
Total power input	3-phases, 50/60Hz, 10KvA

Dielectric tank

Dielectric fluid	Oil
Capacity (l)	465
Filtration method	Replaceable Paper Filters

C Axis (optional)

Resolution	0.001°
Rotational speed (min ~ max rpm, continuous)	2 ~ 20

Options

C-axis SEC10 (20 rpm)	40A booster
ATC Unit (6, 12, 16, 32-station)	Table down 50 mm (Factory option)
SCF72P High-precision rotary head (2000 rpm)	Automation system
UPS	8-axis simultaneous control SP-E (Factory option)



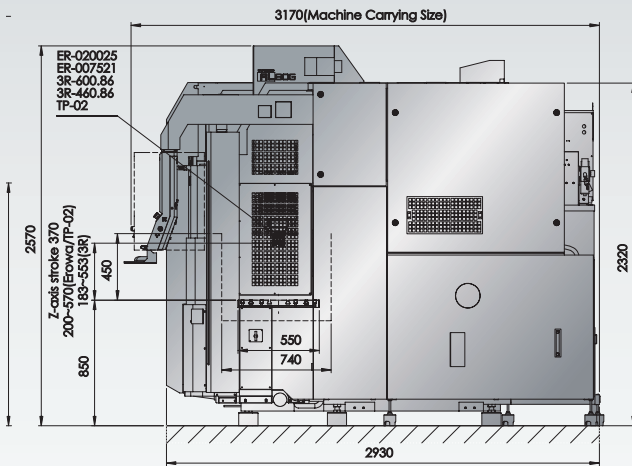
create your future

AL60G

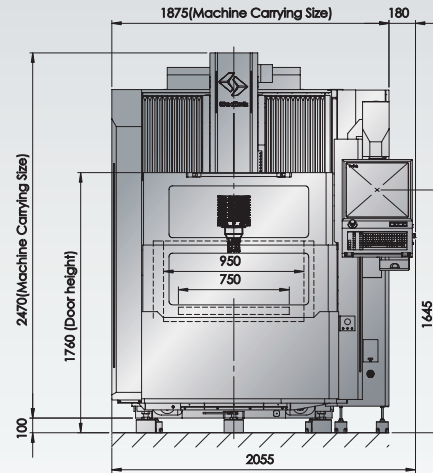
Technical Specifications



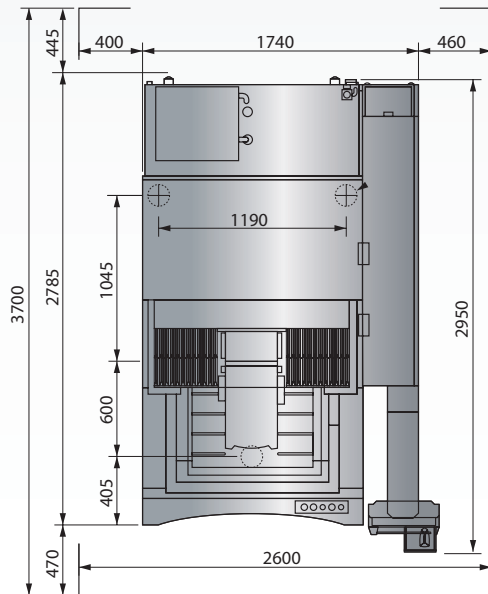
Side View



Front View



Top View



Specifications are subject to change without prior notice due to continual research and development.



create your future

Sodick Europe Ltd.

Agincourt Road
Warwick, CV34 6XZ
United Kingdom

Sodick Contact

Phone +44 (0) 19 2669 8888
email europe@sodick.eu.com
online www.sodick.org