

VZ500L

Linear motor drive Wire-cut EDM



- 10 year warranty on positioning accuracy
- Linear motor (X, Y, U, V axis)
- Linear scales (X, Y, U, V axis)
- Ceramic components
- Linear motor cooling unit
- Remote controller
- Improved Ease of Operation
- LN2W generator
- High speed electrolysis free circuit
- SODICK Fine Corner Control
- Energy saving circuit
- FTII (Fine pick-up function)
- Automatic water level control
- Super jet AWT (Automatic wire threader)
- Heart NC software
- Wire end remover
- Dielectric cooling unit
- Voltage stabiliser
- LAN interface
- USB port
- Work light

Technical Specifications

Max. workpiece weight (kg)	850
X/Y/Z axis travel (mm)	500 x 350 x 250
UV axis travel	80 x 80
Taper angle	±15°
Wire diameter (mm)	Ø 0.15~0.3
Wire tension (N)	3~23
Max. wire speed (mm/sec)	420
Distance from floor to table top (mm)	930
Controlled axis	5
Machine tool dimensions (W x D x H, mm)	2300 x 2590 x 2040
Machine installation dimensions (mm)	3000 x 3300
Machine weight (kg)	3000
Work tank dimensions (W x D, mm)	990 x 750

Dielectric Tank

External dim. (W x D x H, mm)	860 x 2400 x 1810
Weight (empty, kg)	400
Capacity (l)	840
Filtration method	2 replaceable paper filters

Options

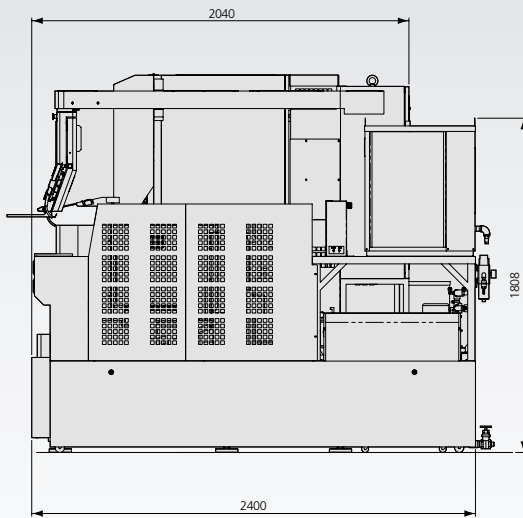
Taper flex 45 (for taper cutting up to 45°)
L-Cut (Wire chopper)
Active Power Restart (UPS)
WS4P/5P rotary table (indexing table)

VZ500L

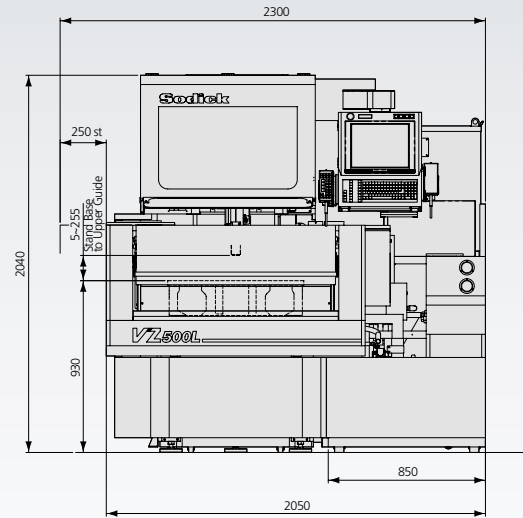
Technical Specifications



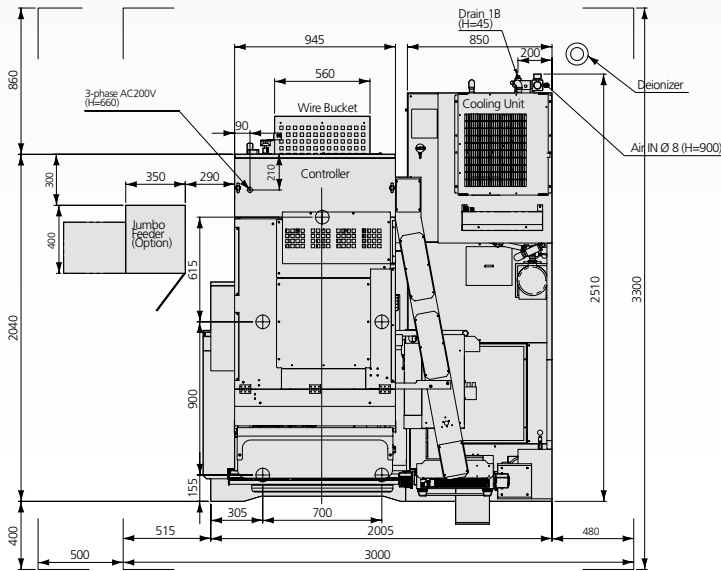
Side View



Front View



Top View



Due to ongoing research, specifications are subject to change without prior notice.

Sodick

create your future

Sodick Europe Ltd.
Rowley Drive, Baginton
Coventry, CV3 4FG
United Kingdom

Sodick Contact

email europa@sodick.eu.com
online www.sodick.org
Phone +44 (0) 24 7621 4314