

OPM350L

The Best just got Better: Smart Linear, Smart Pulse



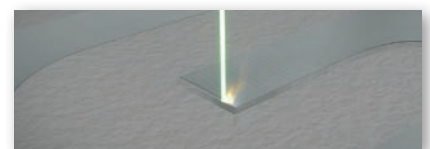
- Linear Motor for X, Y and Z axis
- Linear Glass Scale Feedback
- Sodick LN2RP Control
- HSK-E25 Spindle
- Automatic Laser Tool Length Measuring System (Blum)
- Yb fiber laser
- Fume Collector
- Nitrogen Gas Supply Unit
- 16-station Automatic Tool Changer
- LAN Interface
- Parallel cutting mode

Technical Specifications	
Max size of molding object (W x D x H)	350 x 350 x 350 mm
X axis stroke	360 mm
Y axis stroke	360 mm
U axis stroke	344 mm
Molding tank inner dimensions (W x D)	390 x 390 mm
Spindle Z-axis stroke	100 mm
Max powder supply weight	300 kg
Nitrogen supply capacity	90NL/min
Machine dimensions (Peripheral equipment not included)	2020 x 2485 x 2220 mm
Machine weight (Peripheral equipment not included)	5800 kg
Laser method	"Yb fiber laser/Yb-Faserlaser
Laser wavelength	1070nm
Max laser output	500W (1000W Option)
Laser scan	Galvano method
Max main spindle rotation speed	45000min-1
Max main spindle torque	0.8Nm
Number of tools	20
Tool holder method	Dual face contact holder HSK-E25/
Control axes	XYZUB, Spindle
Simultaneous control axes	Max. 4 axes
Minimum input command	0,1 µm
Minimum drive unit	0,031 µm

Sodick's new **OPM Series** – Additive Manufacturing plus CNC milling combined for the first time in one machine. The **OPM Series** is a fully automatic machine which performs high precision finish machining where a metal powder is spread uniformly (recoating process), the metal powder is scanned with a laser beam to solidify the melted powder, and a rotary tool is used to perform high-speed milling. The adoption of an Yb fiber laser with a maximum output of 500W for the laser oscillator which solidifies the melted metal powder, realized high-speed metal 3D printing. Read the article about OPM250L.

Options

MRS (Material Recovery System) unit

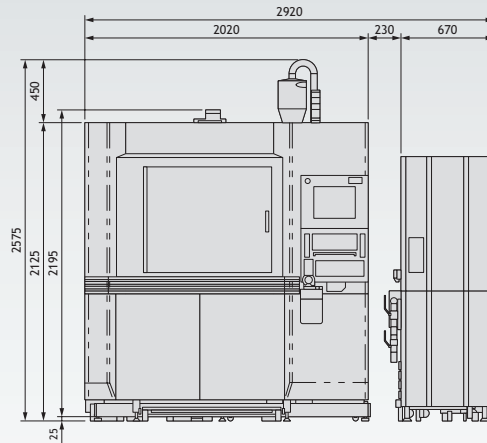


OPM350L

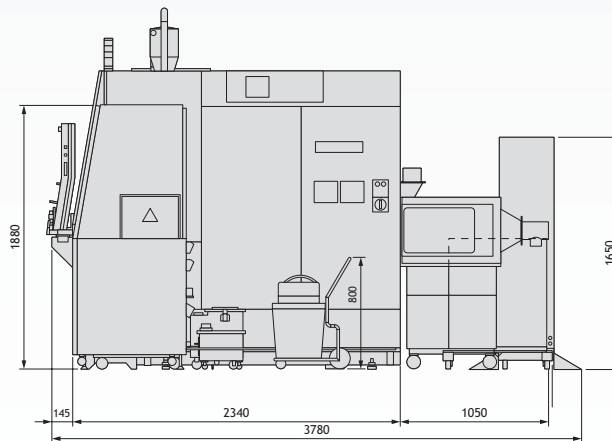
Technical Specifications



Front View



Side View



Due to ongoing research, specifications are subject to change without prior notice.

Sodick

create your future

Sodick Europe Ltd.
Rowley Drive, Baginton
Coventry, CV3 4FG
United Kingdom

Sodick Contact
phone: +44 (0) 24 7621 4314
email: europe@sodick.eu.com
online: www.sodick.org