

# HS650L

*Super High-accuracy milling machine*



- 3 Axis Linear Motor Drive
- Spindle temperature controller
- Linear motor temperature controller
- Semi-dry coolant system
- Oil base coolant option
- ATC 16 Tools
- Bed wash down system
- Auto-lubrication system
- Automatic shut down
- Work light
- Hard disk 30.0GB
- Macro function
- Programme memory size 30MB
- Lan interface
- Touch Sensor ASSY (BIG, Work piece positioning function)
- Mist collector (AMANO)
- Automatic tool length measuring system – BLUM (non contact type)
- Cleaning gun
- Tool tip cleaning system
- High speed high accuracy function (SEPT II – Sodick Enhanced Precision Technology)

## Technical Specifications

XYZ axis (mm)	620 x 500 x 300
Machine table (W x D, mm)	750 x 500
Maximum load on table (kg)	120
Spindle speed (min <sup>-1</sup> )	6000 ~ 40000
Max acceleration XYZ axis (G)	>1
Rapid feed rate (m/min)	36
Maximum tool diameter (mm)	Ø 6
Machine dimensions (W x D x H, mm)	1825 x 2956 x 2540
Machine installation dimensions (W x D, mm)	3050 x 4300
Machine weight (kg)	7200
Tool holder capacity	16

## Options

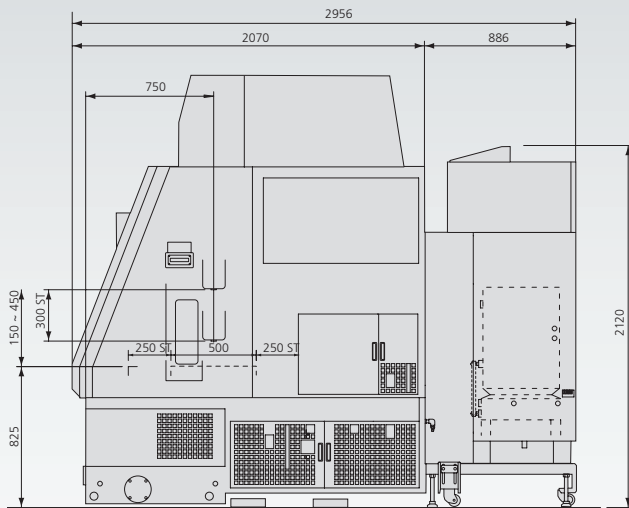
- Work piece changer AWC 30/AWC 60
- Tool changer ATC 45
- Tool holder E25/E32

# HS650L

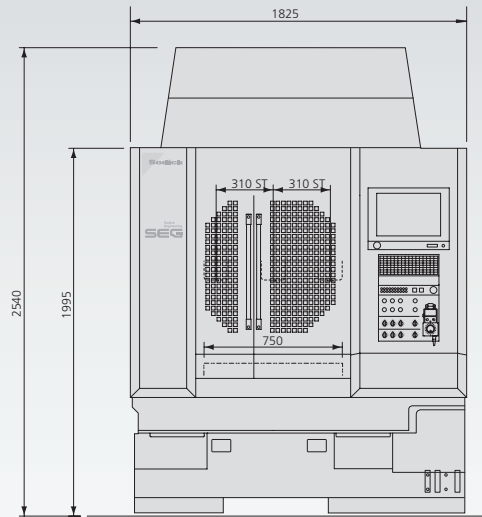
## Technical Specifications



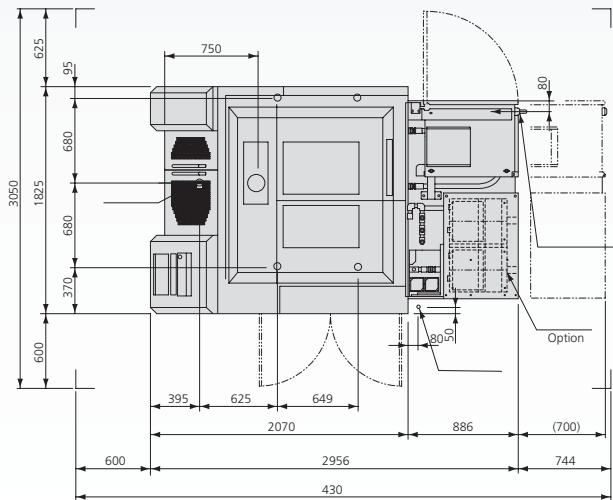
Side View



Front View



Top View



Due to ongoing research, specifications are subject to change without prior notice.

# Sodick

*create your future*

Sodick Europe Ltd.

Rowley Drive, Baginton  
Coventry, CV3 4LS  
United Kingdom

Phone +44 (0) 24 7621 4314  
Fax +44 (0) 24 7630 5680

Sodick Contact

email [europa@sodick.eu.com](mailto:europa@sodick.eu.com)  
online [www.sodick.org](http://www.sodick.org)