

HS650L (5 Axis)

Super High-accuracy milling machine



- LN 5 x 5 axis control
- 3 Axis Linear Motor Drive
- Spindle Temperature Controller
- Linear Motor Temperature Controller
- Semi-Dry Coolant System
- Oil Base Coolant Option
- ATC 16 Tools
- Bed Wash Down System
- Auto-Lubrication System
- Automatic Shut Down
- Work Light
- Hard Disk 30.0GB
- Macro Function
- Lan interface
- Touch Sensor Renishaw OMP40
- Mist Collector (AMANO)
- Automatic Tool Length Measuring System
 - BLUM (non contact type)
- Cleaning Gun
- Tool Tip Cleaning System

Technical Specifications

XYZ axis (mm)	620 x 500 x 300
Axis travel A - C	- 95 + 5 ° x 360 °
Machine table (mm)	ø 160
Maximum load on table (kg)	10
Spindle speed (min. ⁻¹)	6000 ~ 40000
Max acceleration XYZ axis (G)	> 1
Rapid feed rate (m/min)	36
Maximum tool diameter (mm)	Ø 6
Machine dimensions (W x D x H, mm)	1825 x 2956 x 2540
Machine installation dimensions (W x D, mm)	3050 x 4300
Machine weight (kg)	8150
Tool holder capacity	16

Options

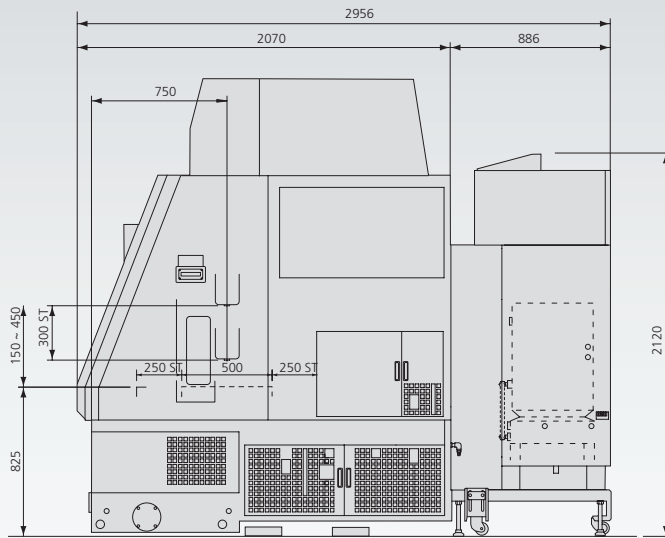
- Work piece changer AWC 30/AWC 60
- Tool changer ATC 45
- Tool holder E25/E32

HS650L (5 Axis)

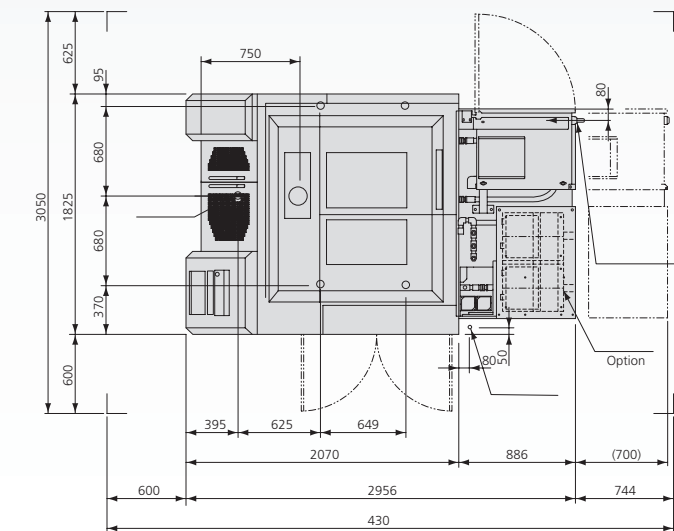
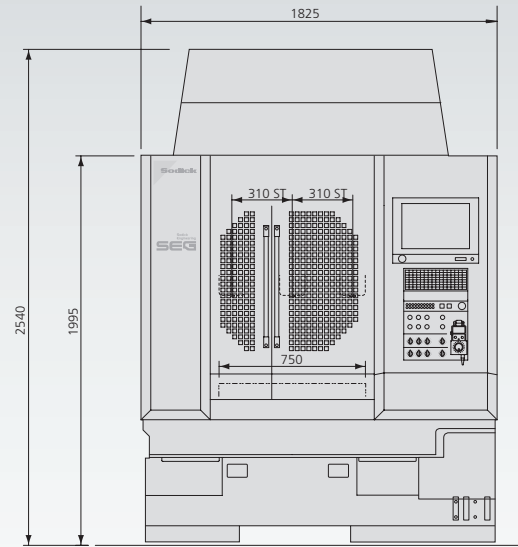
Technical Specifications



Side View



Front View



Top View

Sodick

create your future

Sodick Europe Ltd.

Rowley Drive, Baginton
Coventry, CV3 4LS
United Kingdom

Phone +44 (0) 24 7621 4314
Fax +44 (0) 24 7630 5680

Sodick Contact

email europa@sodick.eu.com
online www.sodick.org