

# AP1L

Premium High End EDM Machine



- Linear motor (X/Y/Z axis)
- Linear scale (X/Y/Z axis)
- Ceramic components
- Linear motor cooling unit
- Dielectric fluid cooling unit
- SVC circuit
- "SGF" Nano-Wear Discharge Unit
- Improved ease of operation
- NC operation panel
- Remote controller
- LN Professional software for optimum condition search
- Rise and fall work tank
- Clamping chuck
- LAN
- Totalising hour metre
- Work light control

Technical Specifications	
X/Y/Z axis travel (mm)	200 x 120 x 200
Ceramic table dimensions (mm)	360 x 220
Worktank dimensions (mm)	503 x 349 x 250
Dielectric level (min ~ max, mm)	80 ~ 200
Max. workpiece weight (kg)	25
Max. electrode weight (kg)	5
Distance from floor to table top (mm)	940
Machine tool dimensions (W x D x H, mm) (Incl. power supply and dielectric tank)	1355 x 1895 x 2030
Step resolution (mm)	0.0001
Machine weight (kg)	3100
Controlled axis	4
Air pressure (Automatic Clamping chuck, MPa)	0.65

Dielectric tank	
External dimensions (W x D x H, mm)	1095 x 435 x 785
Empty weight (kg)	100
Dielectric fluid	Oil
Capacity (l)	120
Filtration method	Replaceable paper filter (MF-1530P)

C Axis (optional)	
Resolution	0.00034°
Rotational speed (min ~ max rpm, continuous)	1 ~ 2.000

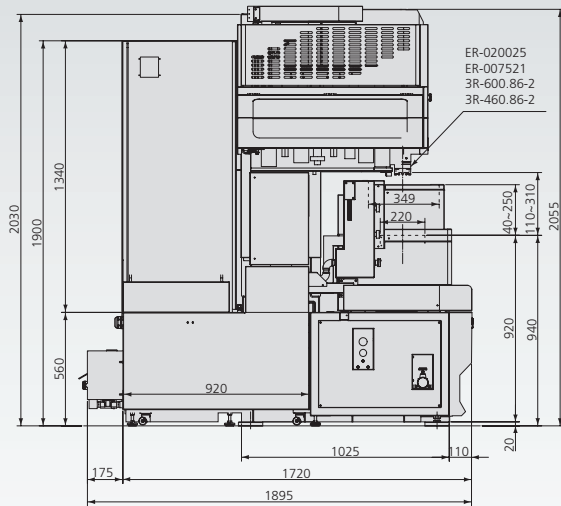
Options	
Oscilloscope	Automatic tool changer (ATC)
Active Power Restart (UPS)	Work piece changer, electrode and robots
High Precision Rotary Head	Custom colour

# AP1L

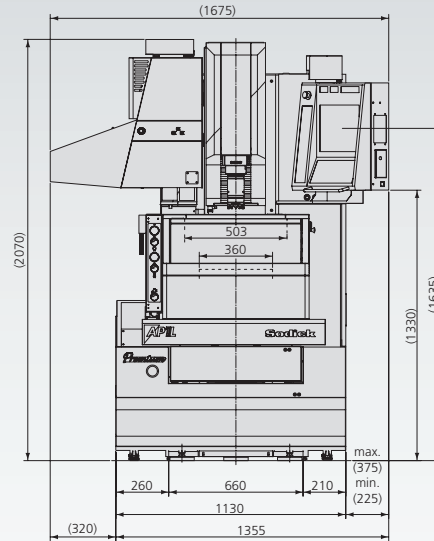
## Technical Specifications



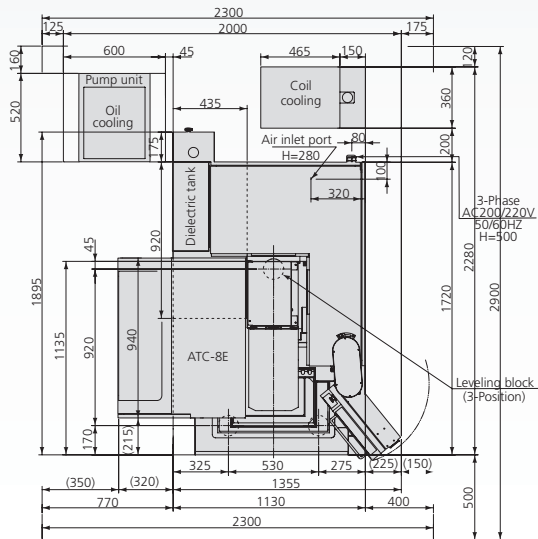
Side View



Front View



Top View



Due to ongoing research, specifications are subject to change without prior notice.

# Sodick

*create your future*

Sodick Europe Ltd.

Rowley Drive, Baginton  
Coventry, CV3 4LS  
United Kingdom

Phone +44 (0) 24 7621 4314  
Fax +44 (0) 24 7630 5680

Sodick Contact

email [europa@sodick.eu.com](mailto:europa@sodick.eu.com)  
online [www.sodick.org](http://www.sodick.org)