

ALC400G

Smart Linear, Smart Pulse, Premium



- Linear motor (X/Y/U/V axis)
- Absolute linear scales (X/Y/U/V axis)
- Ceramic work-zone
- Remote controller
- 3-sided rise and fall work tank
- Improved ease of operation
- Advanced wire tension control
- SPW generator
- SODICK Fine Corner Control
- Energy saving circuit
- Digital PIKA W Plus for super surface finish
- DSF (Dynamic Shape First)
- Automatic water level control

- Fixed Jet AWT (Automatic wire threader)
- Wire end remover
- Dielectric cooling unit
- Voltage stabiliser
- LAN interface
- 19" TFT colour screen
- Intelligent Q3vic EDW
- Anti-virus Software
- USB port
- Work light
- Built-in 20kg wire feeder
- Active Power Restart (UPS)

Technical Specifications

| | |
|---|------------------------|
| X/Y/Z axis travel (mm) | 400 x 300 x 250 |
| UV axis travel (mm) | 150 x 150 |
| Taper angle (Work. height 130mm) | ±25° |
| Work tank dimensions (W x D, mm) | 850 x 610 |
| Max. workpiece weight (kg) | 500 |
| Wire diameter (mm) | Ø 0.1 ~ Ø 0.3 |
| Wire tension (N) | 3 ~ 23 |
| Max. wire speed (mm/sec) | 420 |
| Max. wire bobbin (kg) | 20 |
| Distance from floor to table top (mm) | 995 |
| Machine tool dimensions (W x D x H, mm) | 2115 x 2490 x 2230 |
| Machine tool weight (kg) | 3350 |
| Total power input | 3-phases 50/60Hz 13KVA |

Dielectric Tank

| | |
|---------------------------------|---|
| External dimensions (W x D, mm) | 650 x 2080 |
| Empty weight (kg) | 400 |
| Capacity (l) | 600 |
| Filtration method | 3 Replaceable paper filters (internal pressure) |
| Deionizer | Ion exchange resin (18-lit. type) |

Options

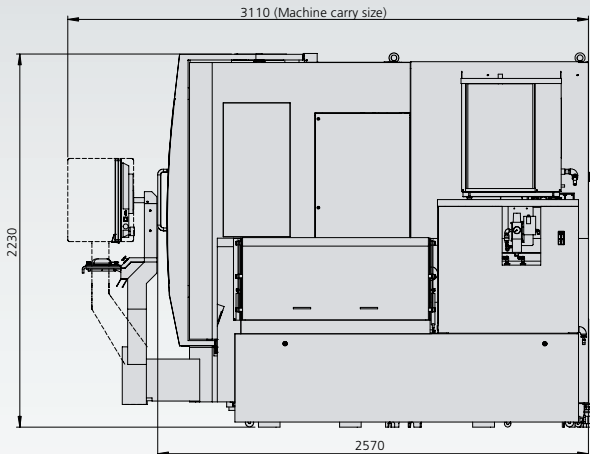
| | |
|---|--|
| 0.05mm wire spec. | Esprit CAM software offline (regional option) |
| HTP high-voltage circuit | Workpiece changer, electrode changer and robots |
| Taper flex 45 NEO (for taper cutting up to 45°) | WS4P/5P rotary table (indexing or simultaneous movement) |
| L-Cut (Wire chopper) | 8-axis Simultaneous Control (Factory option) |
| Anti-Corrosion System (ANCS) | |

ALC400G

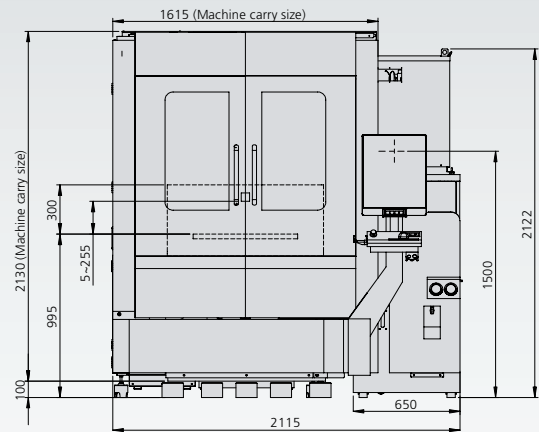
Technical Specifications



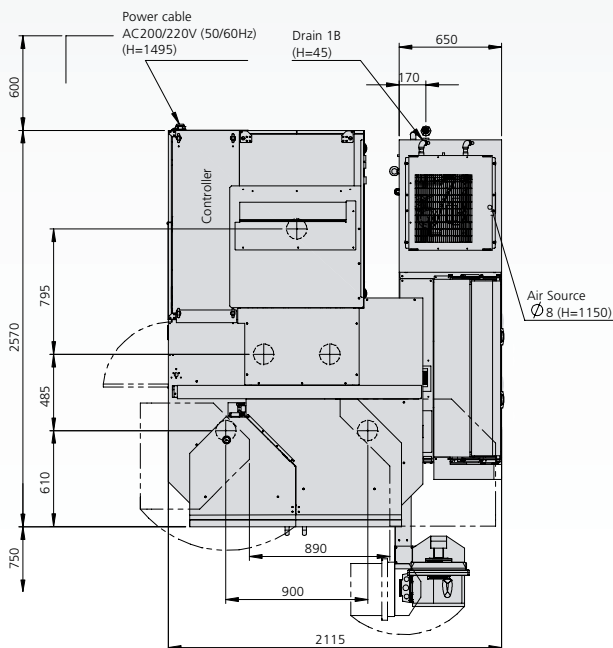
Side View



Front View



Top View



Due to ongoing research, specifications are subject to change without prior notice.

Sodick

create your future

Sodick Europe Ltd.
Rowley Drive, Baginton
Coventry, CV3 4FG
United Kingdom

Sodick Contact
phone: +44 (0) 24 7621 4314
email: europe@sodick.eu.com
online: www.sodick.org