

AG80L

The 5th Generation Linear EDM



- Linear motor (X/Y/Z axis)
- Absolute linear scale (X/Y/Z axis)
- Ceramic components
- Linear motor cooling unit
- Dielectric fluid cooling unit
- SVC circuit
- "SGF2" Nano-Wear Discharge Unit
- TMM3
- Improved ease of operation
- NC operation panel

- Remote controller
- LN Professional software for optimum condition search
- Intelligent Q3vic EDM
- 3-side Rise and fall work tank
- 15" TFT Colour Screen
- LAN interface
- USB port
- Totalising hour metre
- Work light

Technical Specifications

X/Y/Z axis travel (mm)	850 x 520 x 420
Ceramic table dimensions (mm)	1100 x 700
Worktank dimensions (mm)	1400 x 950 x 500
Dielectric level (min ~ max, mm)	150 ~ 450
Max. workpiece weight (kg)	3000
Max. electrode weight (kg)	100
Distance from floor to table top (mm)	840
Machine tool dimensions (W x D x H, mm) (Incl. power supply and dielectric tank)	2060 x 3195 x 2900
Step resolution (mm)	0.0001
Machine weight (kg)	9000
Controlled axis	4
Air pressure (Automatic Clamping chuck, MPa)	0.65

Dielectric tank

External dimensions (W x D x H, mm)	-
Empty weight (kg)	-
Dielectric fluid	Oil
Capacity (l)	845
Filtration method	Replaceable paper filter (MF-2400)

C Axis (optional)

Resolution	0.001°
Rotational speed (min ~ max rpm, continuous)	2 ~ 20

Options

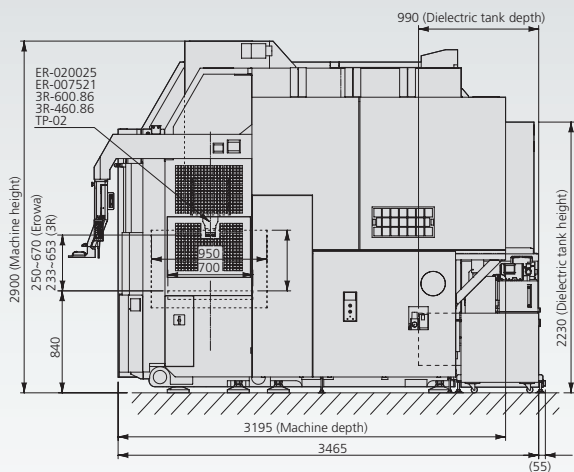
Oscilloscope	High Precision Rotary Head, C axis
Active Power Restart (UPS)	Linear electrode changer Shuttle ATC
STP circuit (for hard metal cutting)	Automatic tool changer (ATC)
40A booster	Work piece changer, electrode changer and robots
80A booster	8-axis simultaneous control (Factory option)
120A booster	Custom colour
Left handed CNC specification (Factory option)	Extended work height (Factory option)

AG80L

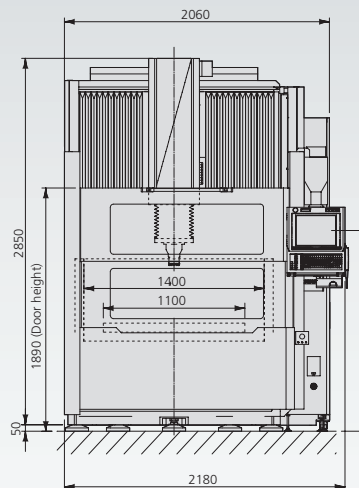
Technical Specifications



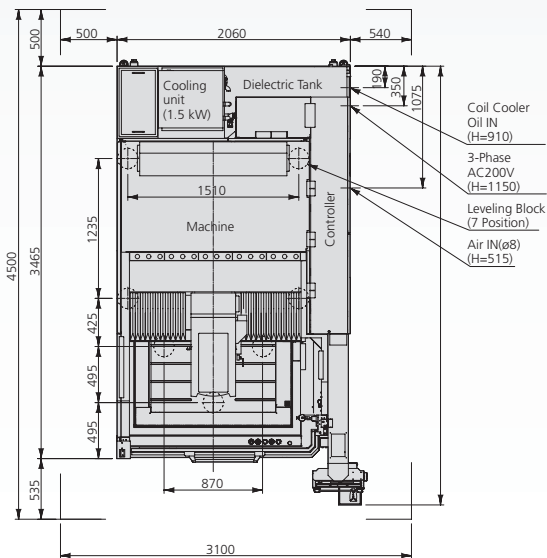
Side View



Front View



Top View



Due to ongoing research, specifications are subject to change without prior notice.

Sodick

create your future

Sodick Europe Ltd.

Rowley Drive, Baginton
Coventry, CV3 4LS
United Kingdom

Phone +44 (0) 24 7621 4314
Fax +44 (0) 24 7630 5680

Sodick Contact

email europe@sodick.eu.com
online www.sodick.org