

# AG60L

The 5th Generation Linear EDM



- Linear motor (X/Y/Z axis)
- Absolute Linear scale (X/Y/Z axis)
- Ceramic components
- Linear motor cooling unit
- Dielectric fluid cooling unit
- SVC circuit
- "SGF2" Nano-Wear Discharge Unit
- TMM3
- Improved Ease of Operation
- NC operation panel
- Remote controller
- LN Professional software for optimum condition search
- Intelligent Q3vic EDM
- 3-side Rise and fall work tank
- 15" TFT Colour Screen
- LAN interface
- USB port
- Totalising hour metre
- Work light

Technical Specifications	
XYZ axis travel (mm)	600 x 420 x 370
Ceramic table dimensions (mm)	750 x 550
Worktank dimensions (mm)	950 x 740 x 450
Dielectric level (min ~ max, mm)	150 ~ 400
Max. workpiece weight (kg)	1500
Max. electrode weight (kg)	50
Distance from floor to table top (mm)	850
Machine tool dimensions (W x D x H, mm) (Incl. power supply and dielectric tank)	1852 x 2825 x 2570
Step resolution (mm)	0.0001
Machine weight (kg)	5350
Controlled axis	4
Air pressure (Automatic Clamping chuck, MPa)	0.65

Dielectric tank	
External dimensions (W x D x H, mm)	-
Empty weight (kg)	-
Dielectric fluid	Oil
Capacity (l)	465
Filtration method	Replaceable paper filter (MF-2400)

C Axis (optional)	
Resolution	0.001°
Rotational speed (min ~ max rpm, continuous)	2 ~ 20

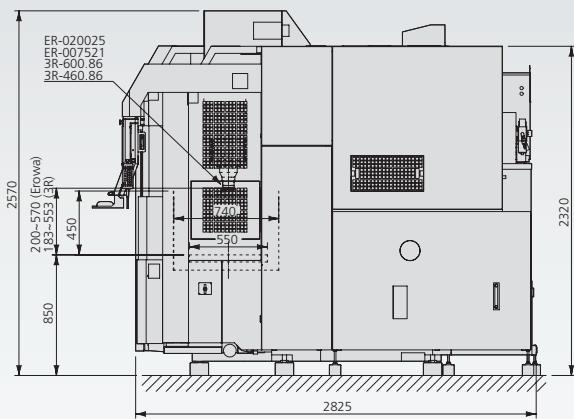
Options	
Oscilloscope	High Precision Rotary Head, C axis
Active Power Restart (UPS)	Linear electrode changer Shuttle ATC
STP circuit (for hard metal cutting)	Automatic tool changer (ATC)
40A booster	Work piece changer, electrode changer and robots
80A booster	8-axis simultaneous control (Factory option)
120A booster	Custom colour
Left handed CNC specification (Factory option)	Extended work height (Factory option)

# AG60L

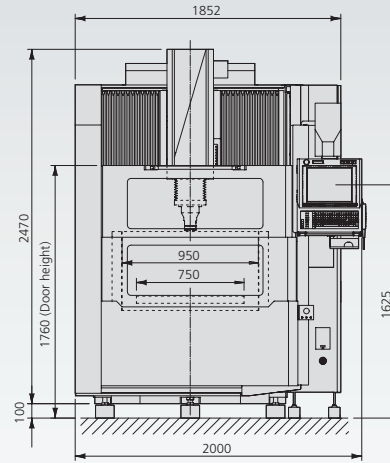
## Technical Specifications



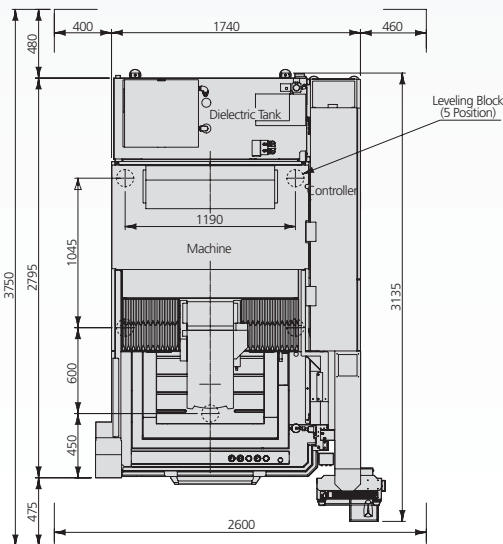
Side View



Front View



Top View



Due to ongoing research, specifications are subject to change without prior notice.

# Sodick

*create your future*

Sodick Europe Ltd.

Rowley Drive, Baginton  
Coventry, CV3 4LS  
United Kingdom

Phone +44 (0) 24 7621 4314  
Fax +44 (0) 24 7630 5680

Sodick Contact

email [europa@sodick.eu.com](mailto:europa@sodick.eu.com)  
online [www.sodick.org](http://www.sodick.org)