

# AG100L

The 5th Generation Linear EDM



- Linear motor (X/Y/Z axis)
- Absolute linear scale (X/Y/Z axis)
- Ceramic components
- Linear motor cooling unit
- Dielectric fluid cooling unit
- 1Gbit/sec communication technology
- SVC circuit
- "SGF Plus" Nano-Wear Discharge Unit
- TMM3 generator

- Improved ease of operation
- Remote controller
- LN Professional software for optimum condition search
- Clamping chuck
- LAN interface
- USB port
- 15" TFT screen
- Work light

Technical Specifications	
X/Y/Z axis travel (mm)	1200 x 650 x 500
Table dimensions (mm)	1600 x 1000
Worktank dimensions (mm)	2100 x 1250 x 650
Dielectric level (min ~ max, mm)	325 ~ 600
Max. workpiece weight (kg)	5000
Max. electrode weight (kg)	100
Distance from floor to table top (mm)	940
Machine tool dimensions (W x D x H, mm) (Incl. power supply and dielectric tank)	3820 x 4200 x 3340
Step resolution (mm)	0.0001
Machine weight (kg)	12500
Controlled axis	4
Air pressure (Automatic Clamping chuck, MPa)	0.65

Dielectric tank	
Dielectric fluid	Oil
Weight (empty, kg)	600 (main) + 450 (sub)
External dimensions (W x D x H, mm)	Main-Sub- 2520 x 900 x 2330 900 x 2650 x 1250
Capacity (l)	2770
Filtration method	6 replaceable paper filters(MF-2400)

C Axis (optional)	
Resolution	0.001°
Rotational speed (min ~ max rpm, continuous)	2 ~ 20

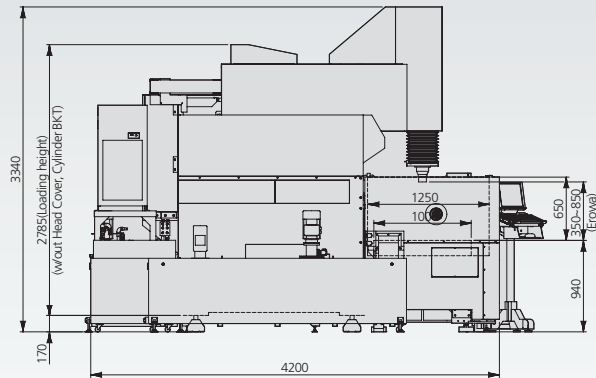
Options	
Oscilloscope	High Precision Rotary Head, C axis
Active Power Restart (UPS)	8-axis simultaneous (factory option)
40A booster	Custom colour (factory option)
SEC-10 (C axis unit)	Automatic Tool Changer

# AG100L

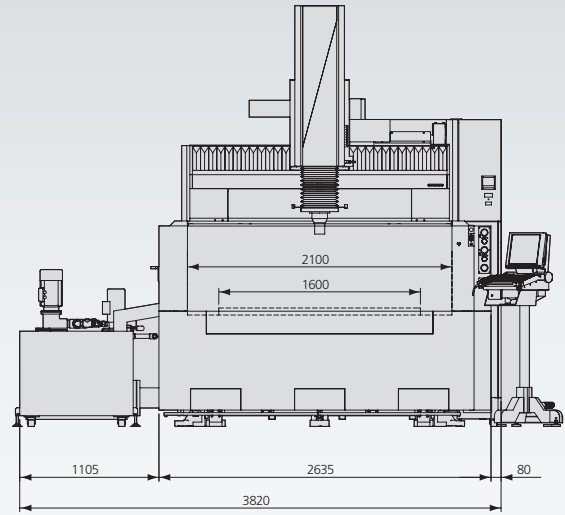
## Technical Specifications



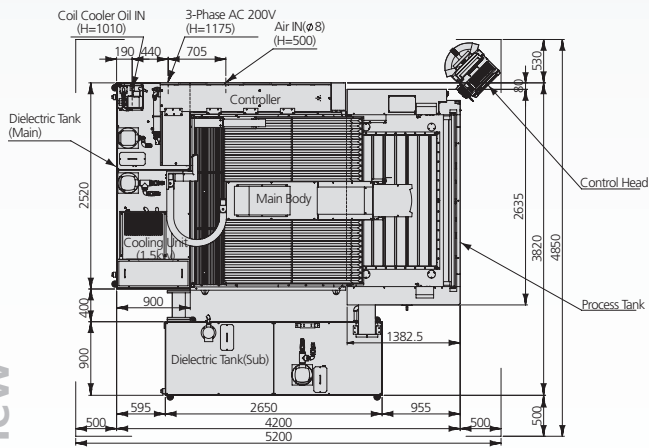
Side View



Front View



Top View



Due to ongoing research, specifications are subject to change without prior notice.

# Sodick

*create your future*

Sodick Europe Ltd.

Rowley Drive, Baginton  
Coventry, CV3 4LS  
United Kingdom

Phone +44 (0) 24 7621 4314  
Fax +44 (0) 24 7630 5680

Sodick Contact

email [europa@sodick.eu.com](mailto:europa@sodick.eu.com)  
online [www.sodick.org](http://www.sodick.org)