

# AD55L

## Linear Motor EDM



- 10 year warranty on positioning accuracy
- Linear motors (X, Y, Z axis)
- Linear scales (X, Y, Z axis)
- Sodick Motion controller
- LN Professional
- Linear motor cooling unit
- Ceramic work-zone
- Remote controller
- USB port
- Shuttle ATC (6-station)
- C-axis (SEC10)
- SGF Plus Circuit
- 15" TFT touch screen display
- Dielectric cooling unit
- Automatic voltage regulator
- Paper filter (2)
- Fire extinguisher
- Mouse
- LAN connection
- Tool kit
- Work light

### Technical Specifications

XYZ axis travel (mm)	600 x 400 x 400
Ceramic Table dimensions (mm)	750 x 550
Worktank dimensions (mm)	1200 x 800 x 500
Dielectric level (min ~ max, mm)	170 ~ 450
Max. workpiece weight (kg)	1,000
Max. electrode weight (kg)	50
Distance from floor to table top (mm)	900
Machine tool dimensions (W x D x H mm) Incl. power supply and dielectric tank	2515 x 2325 x 2720
Step resolution (mm)	0.0001
Machine weight (kg)	4600
Controlled axis	4
Air pressure (Automatic Clamping chuck, MPa)	0.65

### Dielectric Tank

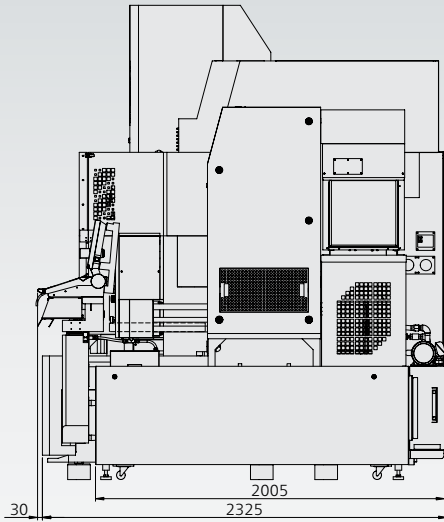
External dimensions (W x D x H, mm)	1050 x 2005 x 2140
Weight (empty, kg)	1200
Dielectric fluid	Oil
Capacity (l)	800
Filtration method	2 Replaceable paper filters (MF-2400)

# AD55L

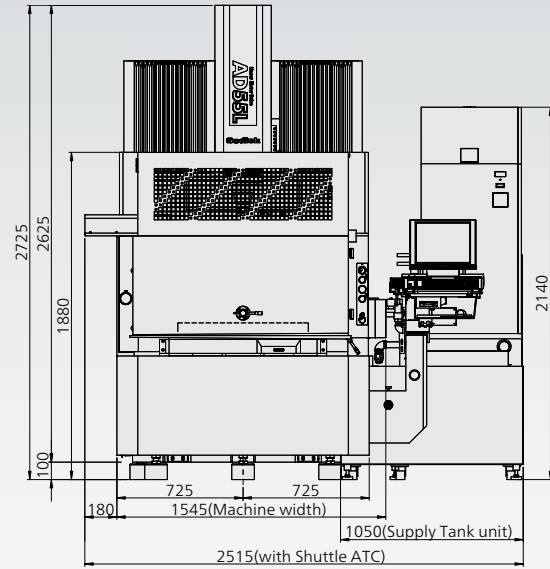
## Technical Specifications



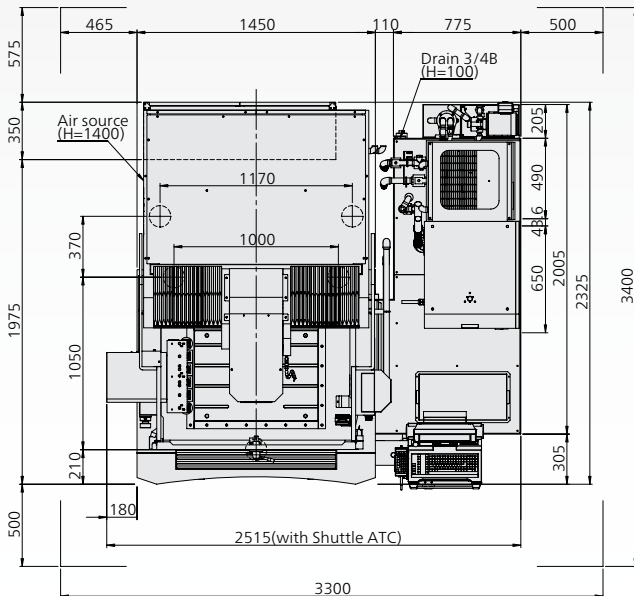
Side View



Front View



Top View



Due to ongoing research, specifications are subject to change without prior notice.

# Sodick

*create your future*

Sodick Europe Ltd.  
Rowley Drive, Baginton  
Coventry, CV3 4FG  
United Kingdom

Sodick Contact  
phone: +44 (0) 24 7621 4314  
email: europe@sodick.eu.com  
online: www.sodick.org