

# AD35L

The perfect low-cost entry into linear die sinking EDM



- LN Professional
- Linear motor cooling unit
- Linear scales (X/Y/Z axis)
- Remote controller
- USB port
- Shuttle ATC
- SEC-10 (C-axis)
- SGF Plus Circuit
- 15" TFT touch screen display

- Dielectric cooling unit
- Automatic voltage regulator
- Paper filter (2)
- Fire extinguisher
- Mouse
- LAN connection
- Tool kit
- Work light

## Technical Specifications

X/Y/Z axis travel (mm)	350 x 250 x 270
Work table size (W x D) (mm)	600 x 400
Work tank dimensions (W x D x H, mm)	975 x 555 x 350
Work tank fluid level (Min. to Max., mm)	170 ~ 300
Work tank capacity (l)	180
Max. workpiece weight (kg)	550
Max. Weight of electrode (kg)	50
Distance from floor to table top (mm)	810
Machine tool dimensions (W x D x H, mm) (Incl. power supply and dielectric tank)	2080 x 1955 x 2350
Machine installation dimensions (mm)	2800 x 2900
Machine weight (kg)	3200
Air pressure (MPa)	0.65
Air flow (NL/min)	100
Total power input	3-phases 50/60Hz, 10 KVA

## Dielectric tank

External dimensions (W x D x H, mm)	800 x 1705 x 2125
Empty weight (kg)	840 (including power supply)
Dielectric fluid	Oil
Capacity (l)	400
Filtration method	Replaceable paper filter (MF-2400)

## C Axis (optional)

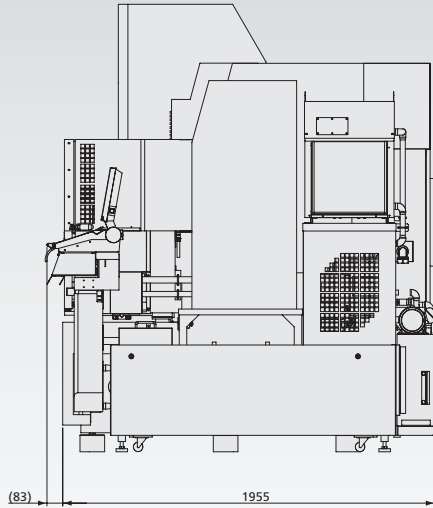
Resolution	0.001°
Rotational speed (min ~ max rpm, continuous)	2 ~ 20

# AD35L

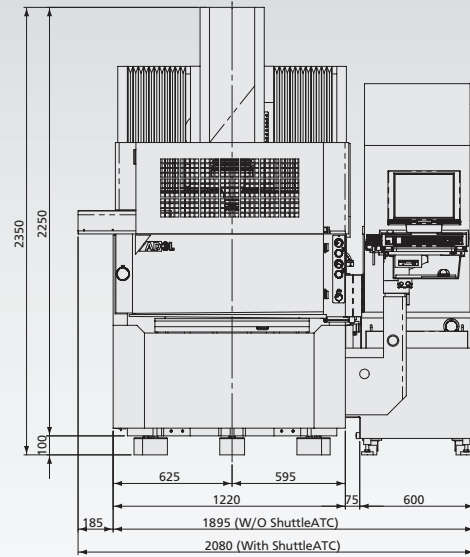
## Technical Specifications



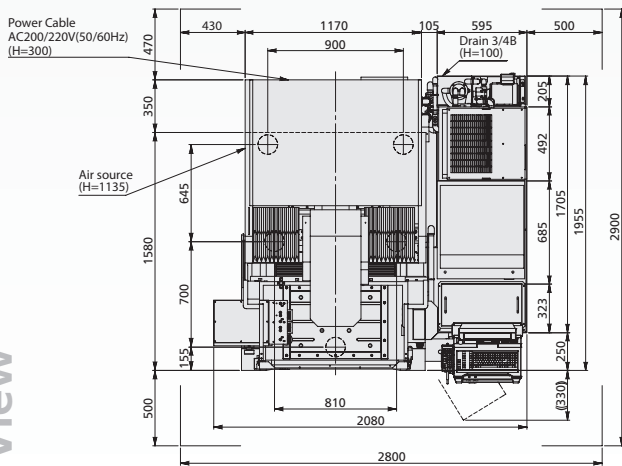
Side View



Front View



Top View



Due to ongoing research, specifications are subject to change without prior notice.

# Sodick

*create your future*

Sodick Europe Ltd.

Rowley Drive, Baginton  
Coventry, CV3 4LS  
United Kingdom

Phone +44 (0) 24 7621 4314  
Fax +44 (0) 24 7630 5680

Sodick Contact

email [europa@sodick.eu.com](mailto:europa@sodick.eu.com)  
online [www.sodick.org](http://www.sodick.org)