

VZ500L



- 10 year warranty on positioning accuracy
- Linear motor (X, Y, U, V axis)
- Linear scales (X, Y, U, V axis)
- Ceramic components
- Linear motor cooling unit
- Remote controller
- Improved Ease of Operation
- LN2W generator
- High speed electrolysis free circuit
- SODICK Fine Corner Control
- Energy saving circuit

- FTII (Fine pick-up function)
- Automatic water level control
- Super jet AWT (Automatic wire threader)
- Heart NC software
- Wire end remover
- Dielectric cooling unit
- Voltage stabiliser
- LAN interface
- USB port
- Work light

Technische Spezifikationen

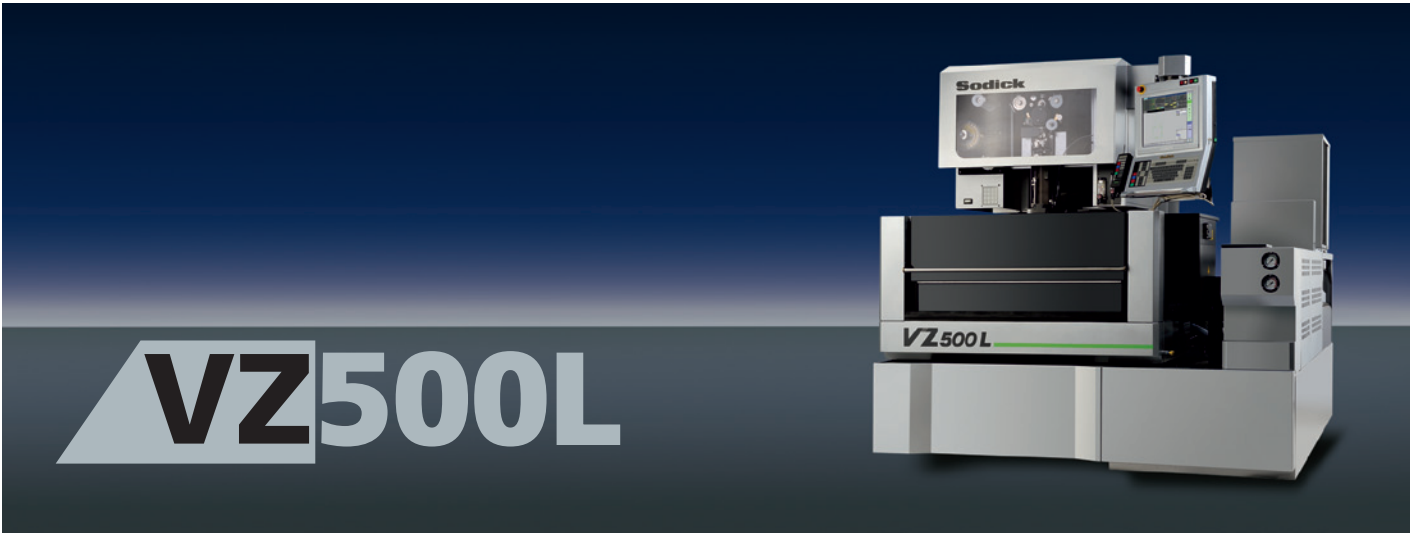
Max. workpiece weight (kg)	850
Max. workpiece dimensions (W x D x H, mm)	960 x 670 x 245
X/Y/Z axis travel (mm)	500 x 350 x 250
UV axis travel	80 x 80
Taper angle	±15°
Wire diameter (mm)	Ø 0.15~0.3
Wire tension (N)	3~23
Max. wire speed (mm/sec)	420
Distance from floor to table top (mm)	930
Controlled axis	5
Machine tool dimensions (W x D x H, mm)	2300 x 2590 x 2040
Machine installation dimensions (mm)	3000 x 3300
Machine weight (kg)	2950
Work tank dimensions (W x D, mm)	990 x 750

Dielectric Tank

External dim. (W x D x H, mm)	860 x 2400 x 1810
Weight (empty, kg)	400
Capacity (l)	840
Filtration method	2 replaceable paper filters

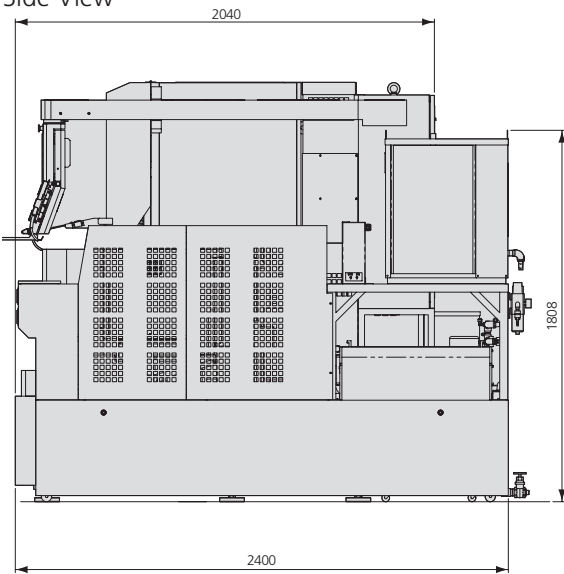
Optionen

Taper flex 45 (for taper cutting up to 45°)
L-Cut (Wire chopper)
Active Power Restart (UPS)
WS4P/5P rotary table (indexing table)

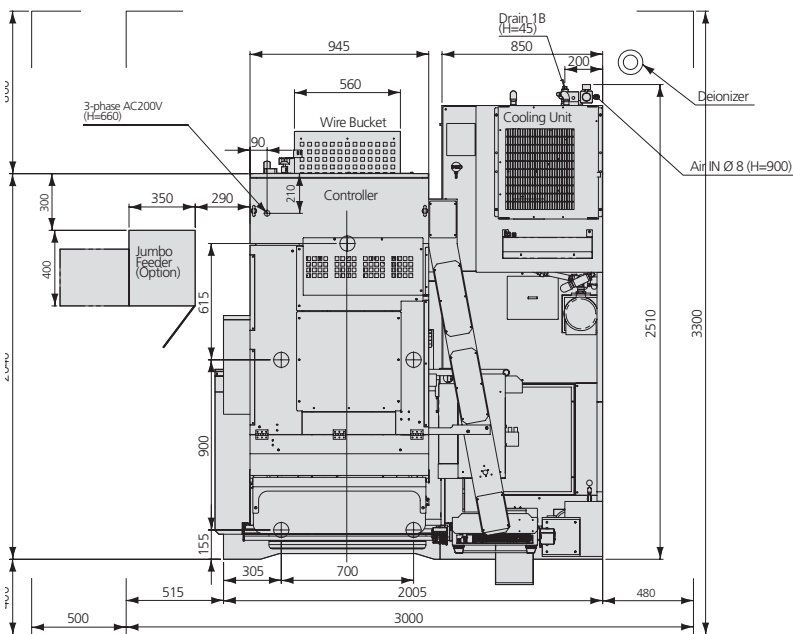
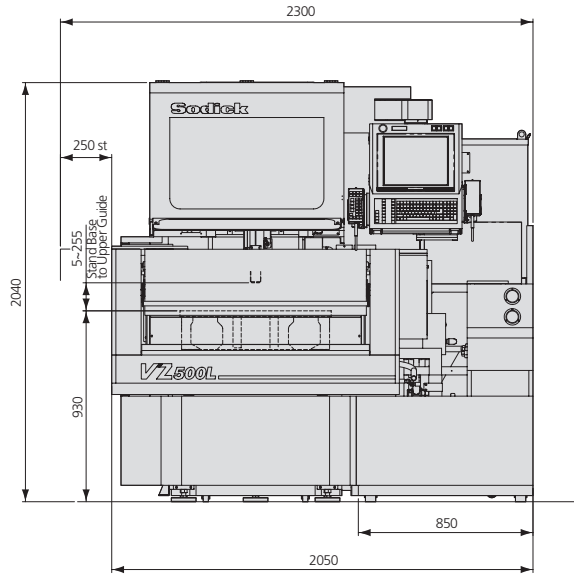


VZ500L

Side View



Front View



Top View

· All CE spec machines have external transformer with dimension of ca. 650 x 460 x 540mm



create your future

Sodick Europe Ltd.

Rowley Drive, Baginton
Coventry, CV3 4FG
United Kingdom

Phone +44 (0) 24 7621 4314
Fax +44 (0) 24 7630 5680

Sodick Contact

email europa@sodick.eu.com
online www.sodick.org