

HS650L 5 Axis



Super High-accuracy milling machine

- LN 5 x 5 axis control
- 3 Axis Linear Motor Drive
- Spindle Temperature Controller
- Linear Motor Temperature Controller
- Semi-Dry Coolant System
- Oil Base Coolant Option
- ATC 16 Tools
- Bed Wash Down System
- Auto-Lubrication System
- Automatic Shut Down
- Work Light
- Hard Disk 30.0GB
- Macro Function
- Lan interface
- Touch Sensor Renishaw OMP40
- Mist Collector (AMANO)
- Automatic Tool Length Measuring System – BLUM (non contact type)
- Cleaning Gun
- Tool Tip Cleaning System

Technical specifications

X/Y/Z axis (mm)	620 x 500 x 300
Axis travel A - C	- 95 + 5 ° x 360 °
Machine table (mm)	ø 160
Maximum load on table (kg)	10
Spindle speed (min-1)	6000 ~ 40000
Max acceleration X/Y/Z axis (G)	> 1
Rapid feed rate (m/min)	36
Maximum tool diameter (mm)	ø 6
Machine dimensions (W x D x H, mm)	1825 x 2956 x 2540
Machine installation dimensions (W x D, mm)	3050 x 4300
Machine weight (kg)	8150
Tool holder capacity	16

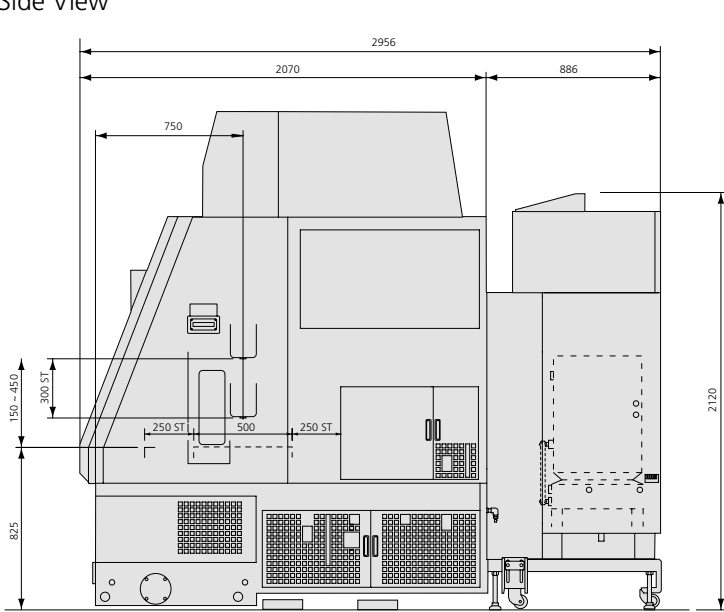
Options

Tool changer ATC 45

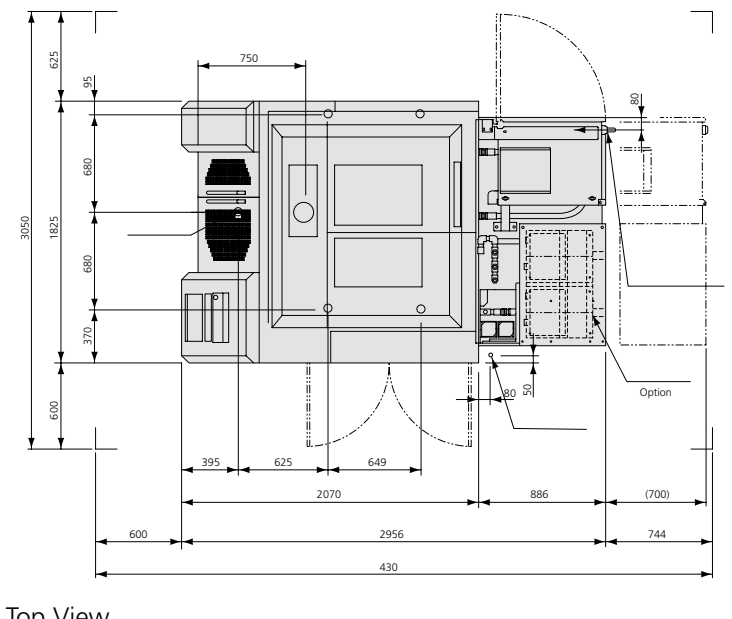
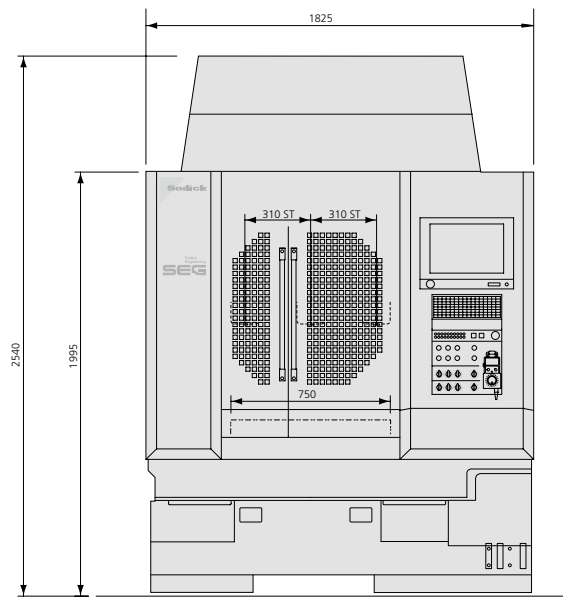


HS650L 5 Axis

Side View



Front View



Top View

Sodick

create your future

Sodick Hightech Europe Ltd.

Rowley Drive, Baginton
Coventry, CV3 4FG
United Kingdom

Phone +44 (0) 24 7651 1444
Fax +44 (0) 24 7651 1488

Sodick Contact

online www.sodick.org