

AQ45L



Linear Motor Drive Die-sinker EDM

- 10 year warranty on positioning accuracy
- Linear motor (X / Y / Z axis)
- Ceramic components
- Linear motor cooling unit
- Dielectric fluid cooling unit
- 1Gbit/sec communication technology
- SVC circuit
- TMM3 Generator
- "SGF Plus" Nano-Wear Discharge Unit
- Improved Ease of Operation
- 3-sided automatic tank door
- Symmetric machine design
- Remote controller
- LN Professional assist software for optimum condition search
- Clamping chuck
- LAN interface
- USB port
- 15" TFT screen
- Work light
- SEC-10 (C axis unit)
- 4-station Automatic tool changer (ATC)

Technical Specifications

X/Y/Z axis travel (mm)	450 x 300 x 320
Table dimensions (mm)	650 x 450
Worktank dimensions (mm)	800 x 632 x 320
Dielectric level (min ~ max, mm)	100 ~ 270
Max. workpiece weight (kg)	800
Max. electrode weight (kg)	80
Distance from floor to table top (mm)	900
Machine tool dimensions (W x D x H mm, Incl. power supply and dielectric tank)	2099 x 2361 x 2520
Step resolution (mm)	0.0001
Machine weight (kg)	4100
Controlled axis	4
Air pressure (Automatic Clamping chuck, MPa)	0.65

C Axis (optional)

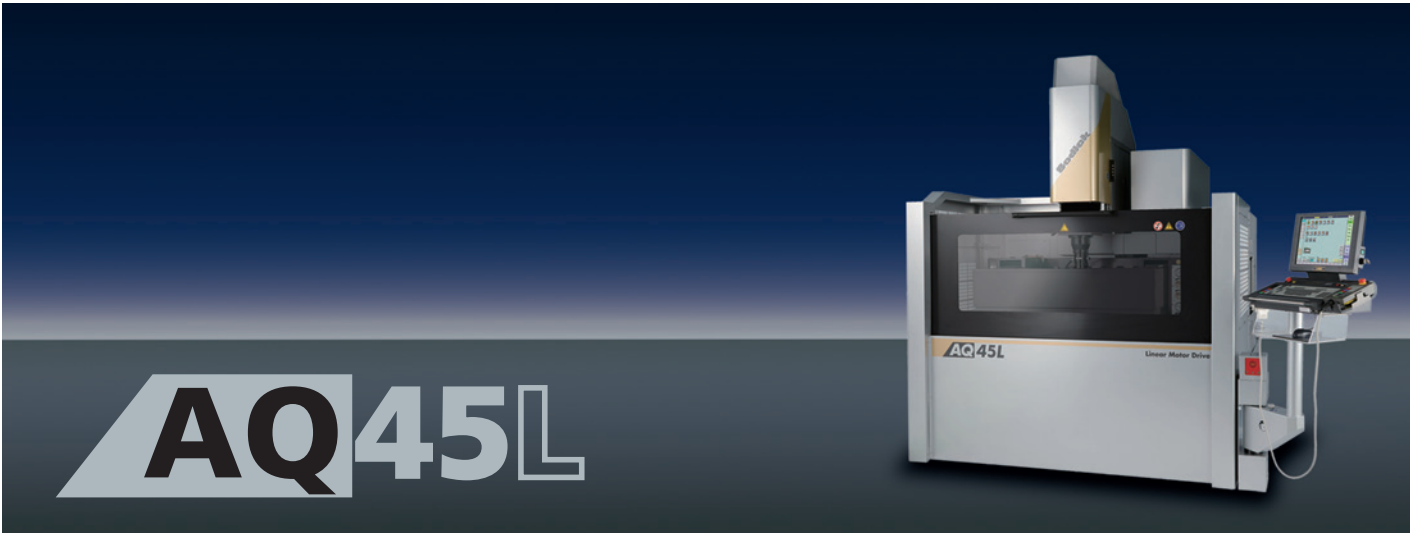
Resolution	0.001°
Rotational speed (min ~ max rpm, continuous)	2 ~ 20

Options

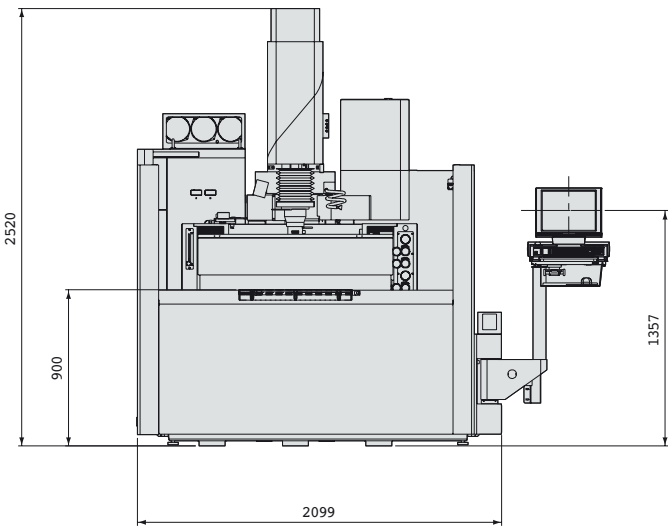
Oscilloscope
Active Power Restart (UPS)
40A booster
Custom colour

Dielectric Tank

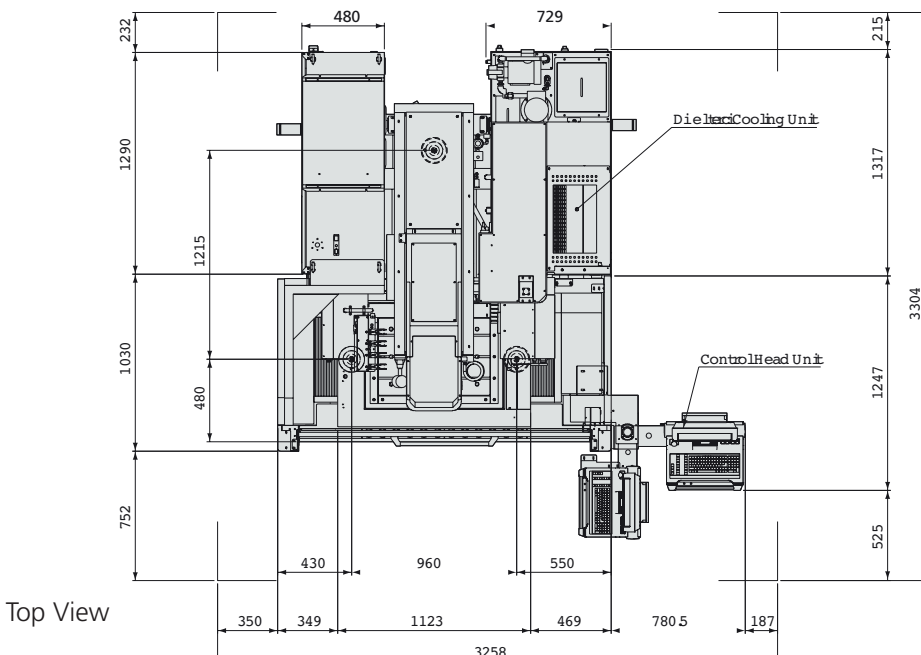
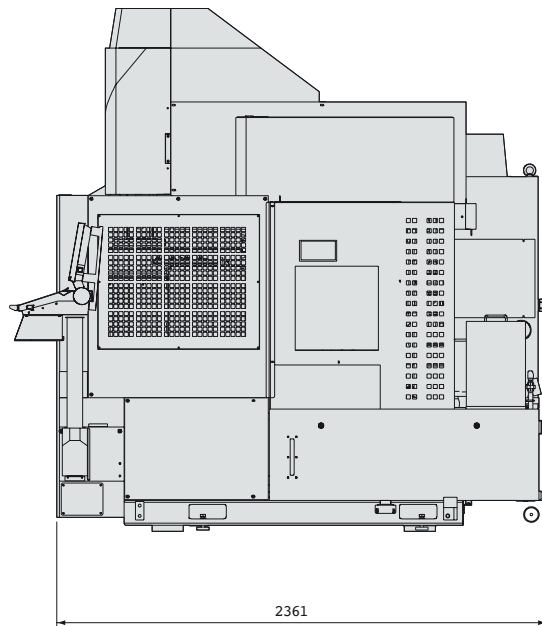
External dimensions (W x D x H, mm)	770 x 1472 x 1846
Weight (empty, kg)	315
Dielectric fluid	Oil
Capacity (l)	315
Filtration method	Replaceable paper filter (MF-2400)



Side View



Front View



Top View

· All CE spec machines have external transformer with dimension of ca. 650 x 460 x 540mm

Sodick

create your future

Sodick Europe Ltd.

Rowley Drive, Baginton
Coventry, CV3 4FG
United Kingdom

Phone +44 (0) 24 7621 4314
Fax +44 (0) 24 7630 5680

Sodick Contact

email europe@sodick.eu.com
online www.sodick.org