

AQ15L



Linear Motor Drive Large Size Die Sinker EDM

- 10 year warranty on positioning accuracy
- Linear motor (X/Y/Z axis)
- Linear scale (X/Y/Z axis)
- Ceramic components
- Linear motor cooling unit
- Dielectric fluid cooling unit
- SVC circuit
- "SGF" Nano-Wear Discharge Unit
- NC operation panel
- Remote Controller
- LN assist software for optimum condition search
- Intelligent Q³vic EDM
- Clamping chuck
- LAN interface
- USB port
- Totalising hour metre
- Work light

Technical Specifications

X/Y/Z axis travel (mm)	900 x 1500 (+500) x 600
Ceramic table dimensions (mm)	1000 x 2000
Worktank dimensions (mm)	1400 x 2500 x 800
Dielectric level (min ~ max, mm)	400 ~ 750
Max. workpiece weight (kg)	10000
Max. electrode weight (kg)	100
Distance from floor to table top (mm)	1000
Machine tool dimensions (W x D x H mm, Incl. power supply and dielectric tank)	3050 x 5180 x 4220
Step resolution (mm)	0.0001
Machine weight (kg)	11000
Controlled axis	4
Air pressure (Automatic Clamping chuck, MPa)	0.65

Dielectric tank

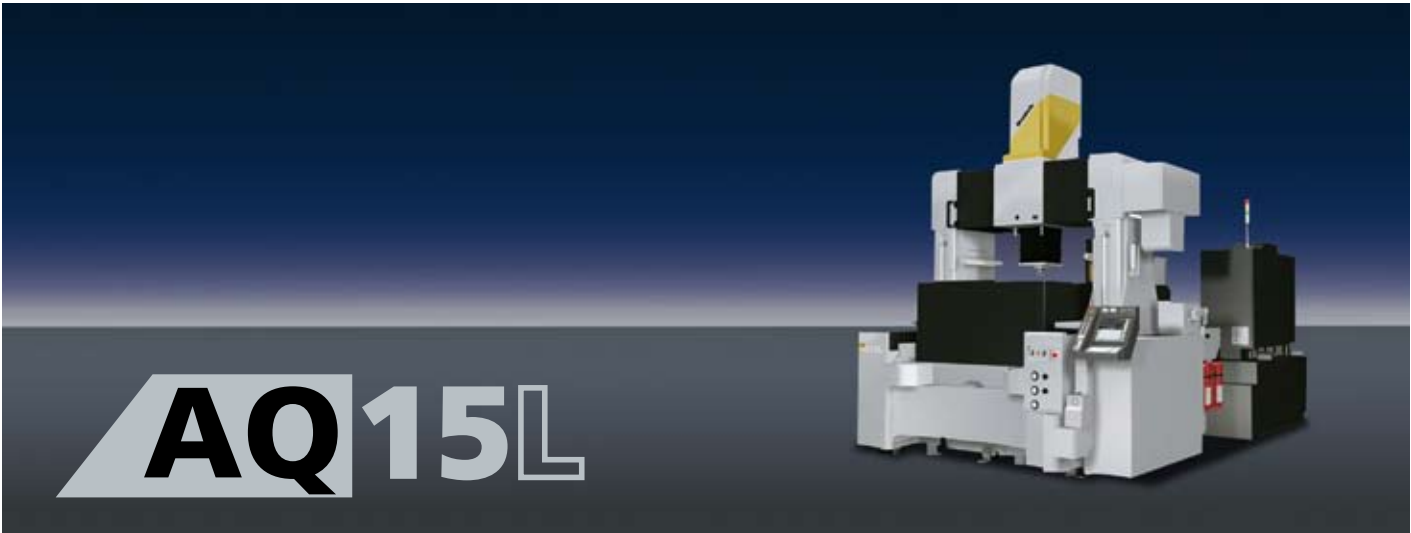
External dimensions (W x D x H, mm)	3050 x 2050 x 2550
Weight (empty, kg)	2.200
Dielectric fluid	Oil
Capacity (l)	4500
Filtration method	Replaceable paper filter (MF-2400)

C Axis (optional)

Resolution	0.001°
Rotational speed (min ~ max rpm, continuous)	2 ~ 20

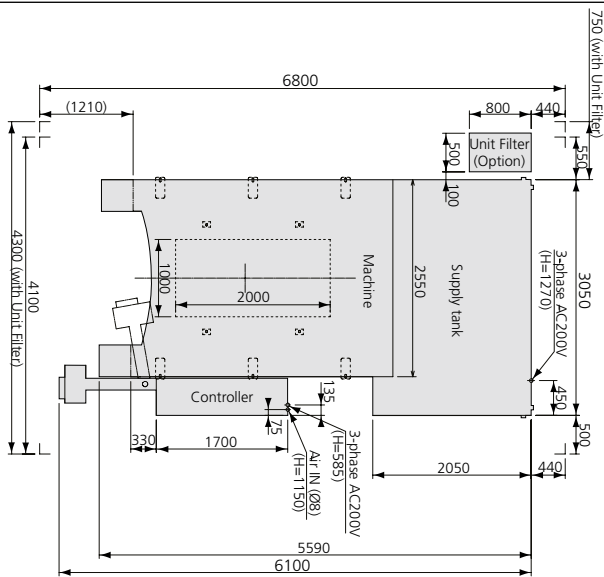
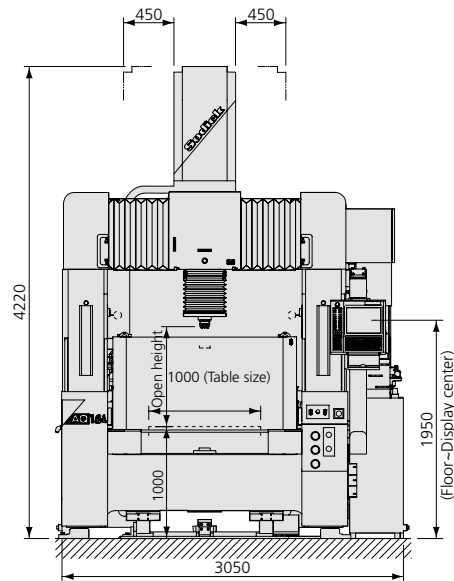
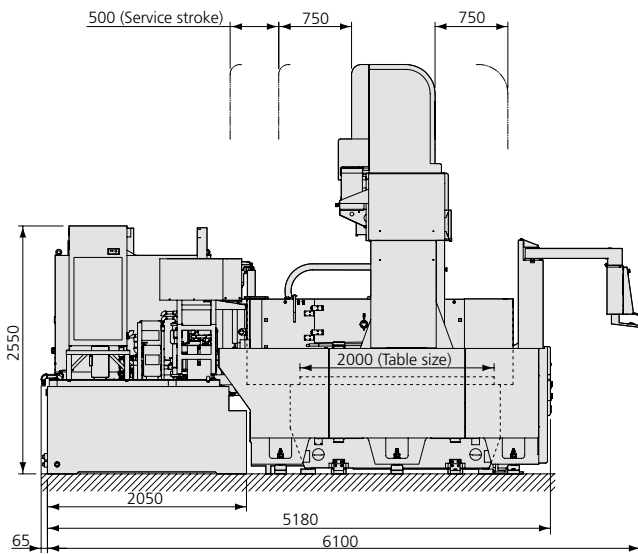
Options

Oscilloscope	High Precision Rotary Head
Active Power Restart (UPS)	Linear electrode changer Shuttle ATC
STP circuit (for hard metal cutting)	JauchSchmider Rotary table (indexing or simultaneous movement)
120A booster	Custom colour
160A booster	C axis



Side View

Front View



Top View

Work Table

Sodick

create your future

Sodick Europe Ltd.

Rowley Drive, Baginton
Coventry, CV3 4LS
United Kingdom

Phone +44 (0) 24 7621 4314
Fax +44 (0) 24 7630 5680

Sodick Contact

email europe@sodick.eu.com
online www.sodick.org