

AD3L



The perfect low-cost entry into linear die sinking EDM

- 10 year warranty on positioning accuracy
- Linear motor (X / Y / Z axis)
- Linear scale (X / Y / Z axis)
- Ceramic components
- Linear motor cooling unit
- Dielectric fluid cooling unit
- SVC circuit
- "SGF" Nano-Wear Discharge Unit
- NC operation panel
- LN assist software for optimum condition search
- SEC-10 (C axis unit)
- Shuttle ATC
- Clamping chuck
- LAN interface
- USB port

Technical Specifications

X/Y/Z axis travel (mm)	300 x 250 x 250
Ceramic table dimensions (mm)	600 x 400
Worktank dimensions (mm)	925 x 555 x 300
Dielectric level (min ~ max, mm)	120 ~ 250
Max. workpiece weight (kg)	550
Max. electrode weight (kg)	50
Distance from floor to table top (mm)	900
Machine tool dimensions (W x D x H mm, Incl. power supply and dielectric tank)	1895 x 2240 x 1960
Step resolution (mm)	0.0001
Machine weight (kg)	2500
Controlled axis	4
Air pressure (Automatic Clamping chuck, MPa)	0.65

Dielectric tank

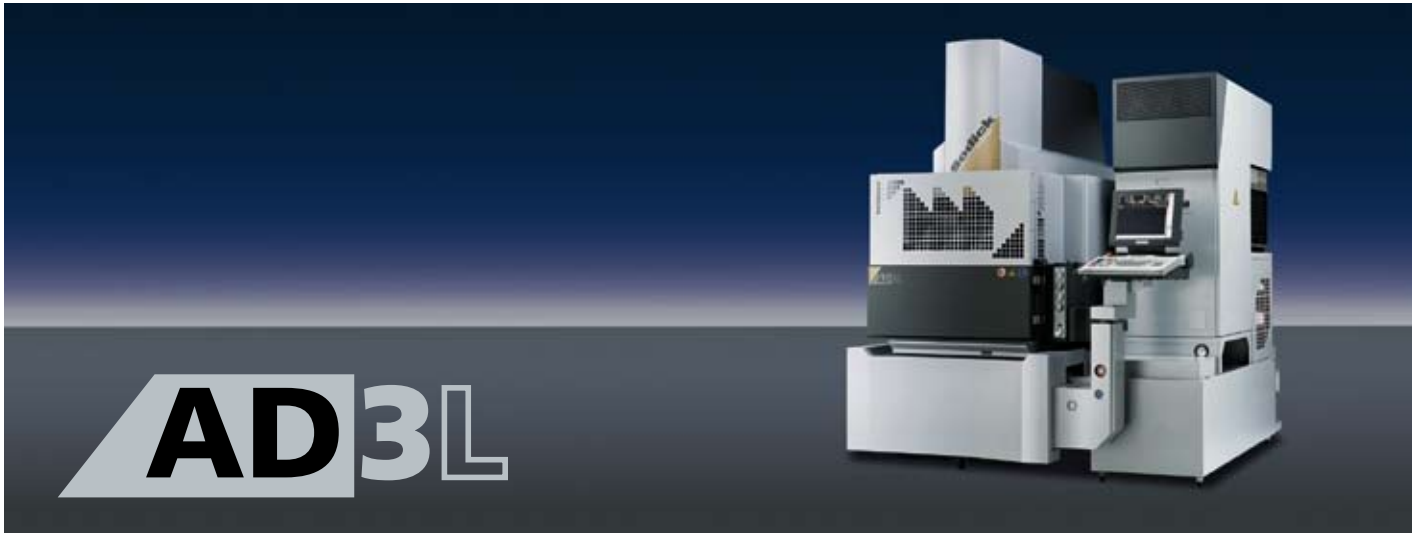
External dimensions (W x D x H, mm)	800 x 1705 x 2125
Weight (empty, kg)	840
Dielectric fluid	Oil
Capacity (l)	400
Filtration method	Replaceable paper filter (MF-2400)

C Axis (optional)

Resolution	0.001°
Rotational speed (min ~ max rpm, continuous)	2 ~ 20

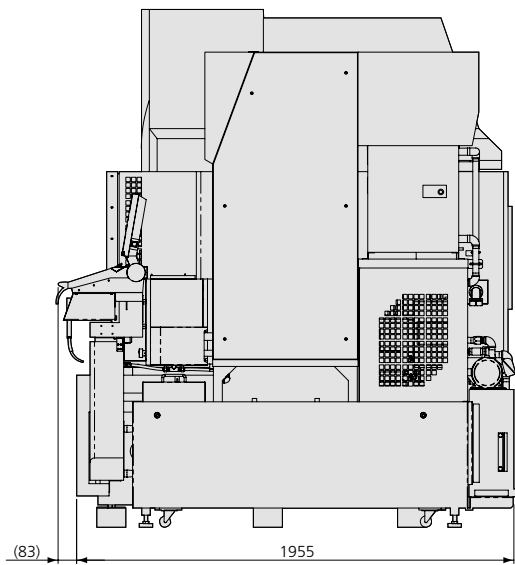
Options

Oscilloscope	High Precision Rotary Head, C axis
Active Power Restart (UPS)	Custom colour
40A booster	Linear electrode changer Shuttle ATC

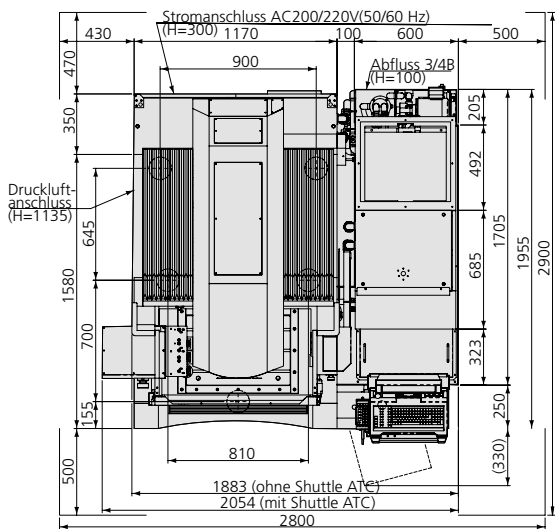
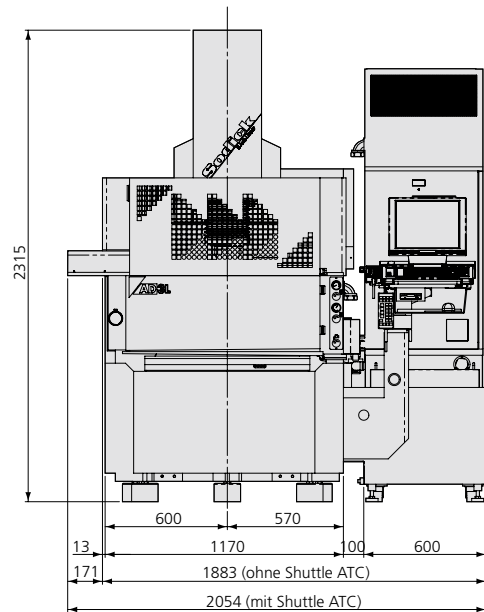


AD3L

Side View



Front View



Top View

Sodick

create your future

Sodick Europe Ltd.

Rowley Drive, Baginton
Coventry, CV3 4LS
United Kingdom

Phone +44 (0) 24 7621 4314
Fax +44 (0) 24 7630 5680

Sodick Contact

email europa@sodick.eu.com
online www.sodick.org